

KmN 1.4sm



SPECIFICATIONS

Rotary head and chuck	
Holding capacity	22 727 kg (50 000 lb)
Spindle interior dimension	124 mm (4.9 in) PWL rod
Chuck operation	Spring closed and hydraulically opened
Final drive	HV 80-3 chain in an oil bath
Hydraulic motor	160 cc variable
Transmission	Funk 4-speed
Rotary head ratio	1:2.33
Lubrication	Pump pressurized, filter and cooler
Speed	0 to 1250 rpm

FEATURES AND BENEFITS

- Design optimized for surface operation with low ground pressure
- Depth capacity:
2 000m (6 608 ft) N size
- Total weight:
10 660 kg (23 450 lb)

kmN 1.4sm

SURFACE DRILL

Filtration

10 micron absolute filter on return line (3)

Hydraulic module

Hydraulic pumps (2)	238 l/min (63 US gal/min) @ 2 100 rpm (max. 241 bar (3 500psi) 148 l/min (39 US gpm) @ 2 100 rpm (max. 283 bar (3 500 psi)
System drive	Open loop, Load-sensing circuit
Hydraulic reservoir	295 l (78 US gal)
Oil heat exchanger	Air cooling (water cooler optional)

Drilling capacity

*Recommended size for maximum performance	*B 2 3/16" (55,6 mm)	2 620 m (8 590 ft)
	*N 2 3/4" (69,9 mm)	2 015 m (4 482 ft)
	*H 3 1/2" (88,9 mm)	1 366 (4 482 ft)
	P 4 5/8" (117,5 mm)	903 m (2 962 ft)

Drilling capacity is calculated on a 90-degree down hole and will depend on in-hole tools, ground conditions, drilling techniques and equipment used. These values are given as guideline only.

Recommended diesel engine: 235 hp (175 kW) at 2 100 rpm

Feed frame

Head stroke	3,35 m (11 ft)
Pull speed	38 m/min (126 ft/min)
Push speed	78 m/min (257 ft/min)
Pull capacity	17 955 lb (39 500 kg) @ 283 bar (4 100 psi)
Push capacity	8 782 kg (19 321 lb) @ 283 bar (4 100 psi)
Possible angle	-45 to -90 degrees

Main winch

Capacity	9 091 kg (20 000 lb)
Line speed	26 m/min (86 ft/min)

4-Speed transmission

Speed	Ratio	Maximum Torque
1st	6,27:1	5 364 N-m (3 957 ft-lb) @ 200 rpm
2nd	3,12:1	2 669 N-m (1 969 ft-lb) @ 400 rpm
3rd	1,75:1	1 497 N-m (1 104 ft-lb) @ 716 rpm
4th	1:1	856 N-m (631 ft-lb) @ 1 250 rpm

Speed and torque based on a 160 cc hydraulic motor at 283 bar (4 100 psi)

Wireline hoist

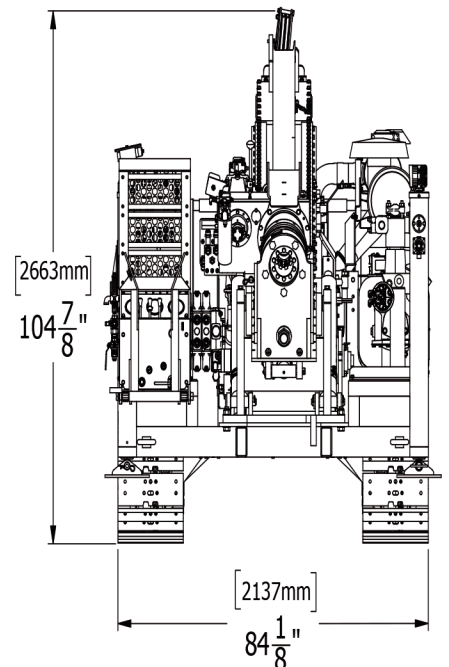
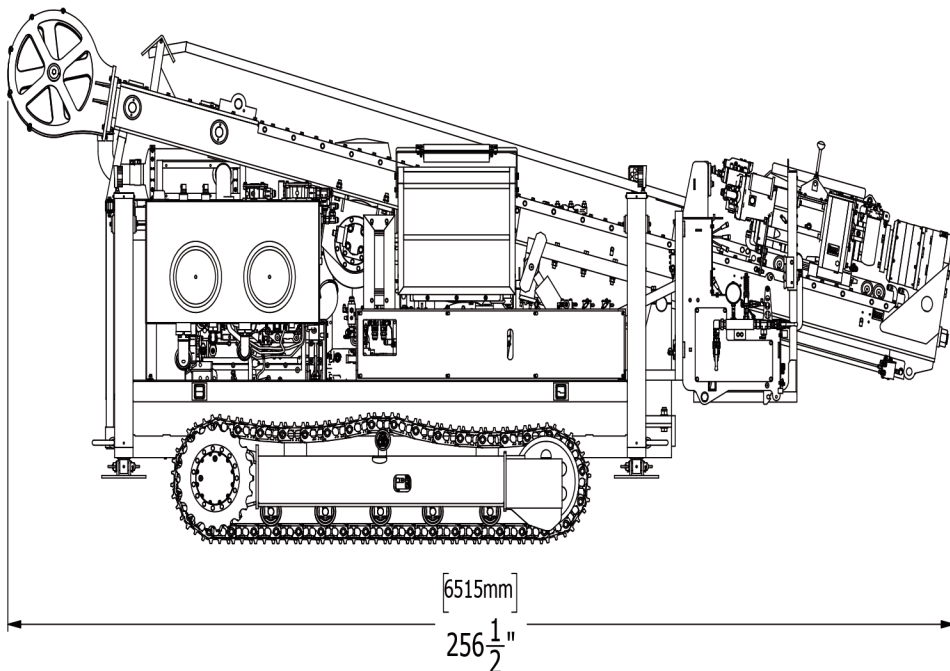
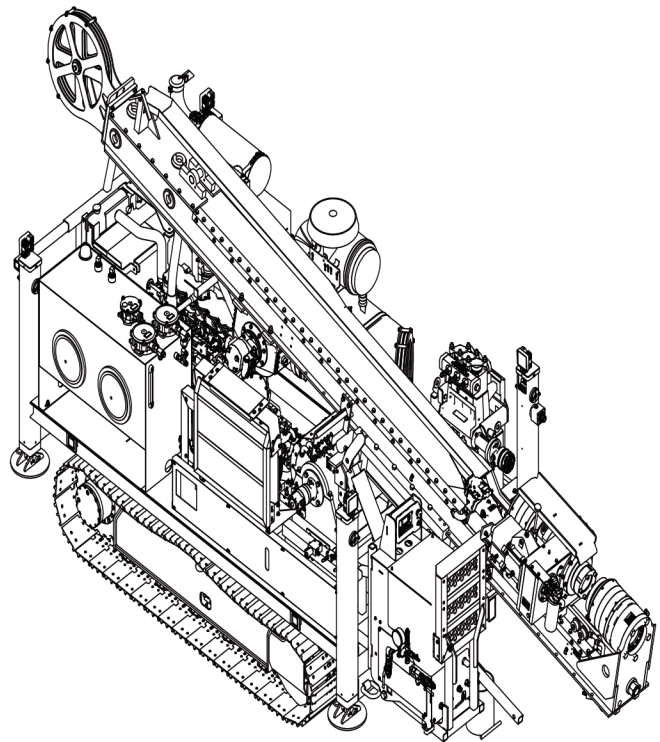
Cable capacity (3/16 in - 4.8 mm)	3 000m (9 840 ft)
Empty Pull capacity	1 445 kg (3 180 lb)
Full Pull capacity	457 kg (1 005 lb)
Line speed bare drum	96 m/min (314 ft/min)
Full drum	303 m/min (995 ft/min)
Variable speed as needed	

Options

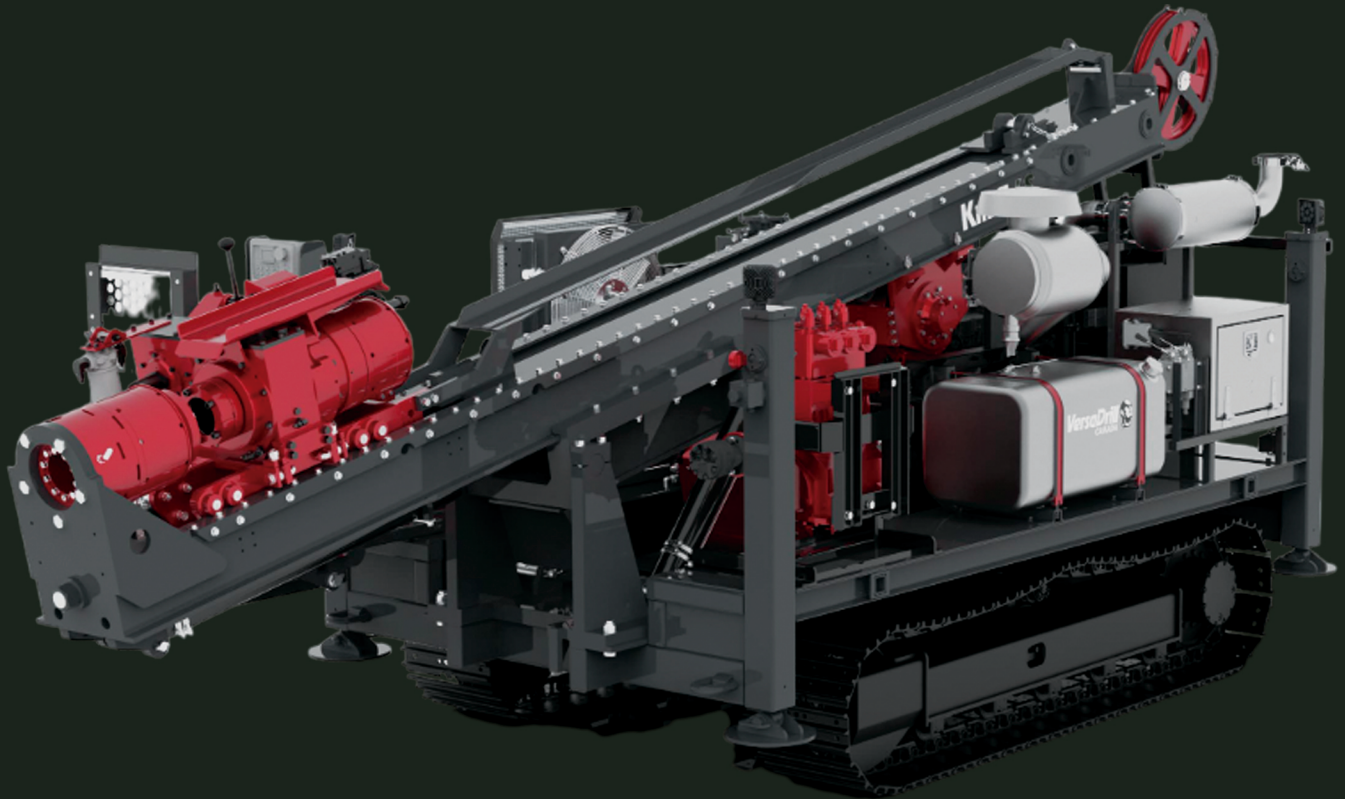
Crawler CAT 308 Steel/rubber
Engine CAT C7.1 Tier III, Tier IV or other
Drilling head cooler
Water pump, std Bean 435 style
Safety guard with interlock system
AUX connections (mud mixer, etc)
2-Speed transmission hydraulically shifted



DIMENSIONS



STRONGER AND STRONGER



Distribuidor:



CORE-BEIL[®]

ROCK TOOLS

www.corebeil.com



110 Jacques-Bibeau St., Rouyn-Noranda, QC J9Y 0A3, Canada

1 819 762-9645 info@mbiglobal.ca